

DP-2J2Z00-F3A Data Sheet v1.0

XXXX Pol,1695-2690/1695-2690/3300-4200/3300-4200MHz
 360/360/360/360 Horizontal Beamwidth,7.0/7.0/8.0/8.0dBi
 E-tilt:3/3/3/3
 0.7m 8-Port 2M2H Omni Antenna

Electrical Properties(BASTA 11.1)

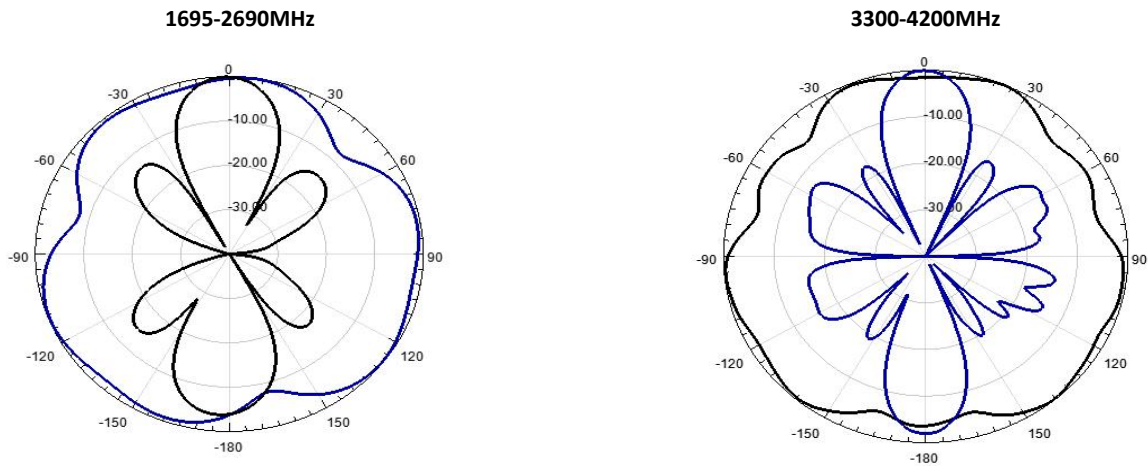
Frequency Band(MHz)	1695-2690(Y1,Y2)			3300-4200(P1,P2)	
	1695-2200	2300-2400	2490-2690	3300-3800	3800-4200
Polarization	±45°				
Gain(dBi)	7.0±0.5	7.3±0.4	7.5±0.5	7.5±0.6	8.2±0.5
Horizontal 3dB Beam Width(°)	360	360	360	360	360
Vertical 3dB Beam Width(°)	23±3	20±2	19±3	20±3	18.5±3
Electrical Downtilt(°)	3			3	
VSWR	< 1.5			< 1.5	
Cross-polar Isolation(dB)	>22			>22	
Interband Isolation(dB)	>22				
3rd Order PIM(dBc) @2 x 43dBm	< -153			/	
Impedance(Ω)	50			50	
Power Handling(W)	150			50	

Mechanical Specifications

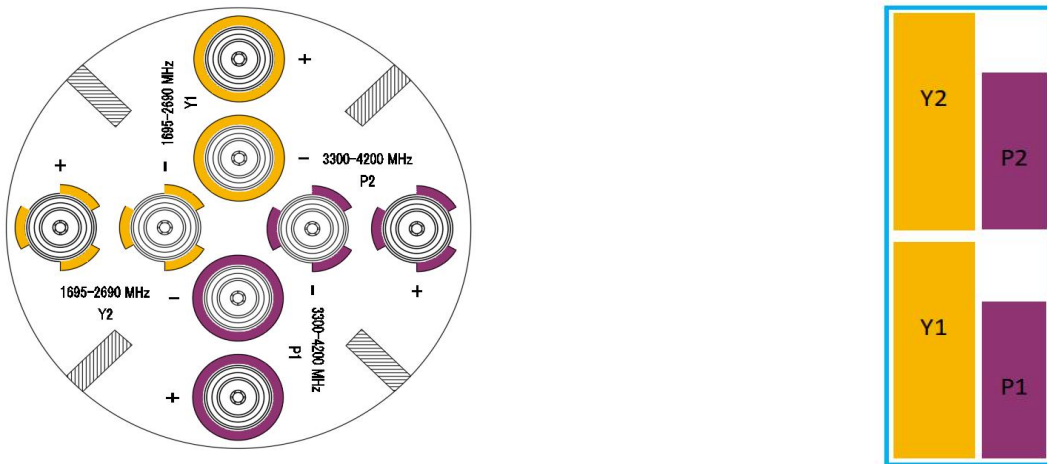
Antenna Dimensions (DxH) (mm)	φ200 x 660
Packing Dimensions (HxWxD) (mm)	1000 x 330 x 330
Lightning Protection	DC Ground
Antenna Weight (kg)	8.0
Installation kit weight(kg)	5.0
Packed Weight (kg)	15
Connector	8 x 4.3-10 Female
Radome Material	Fiberglass
Wind Load at 150 km/h(N) (Front /Rear/Side)	196/196/196
Maximum Wind Speed(km/h)	241
Operating Temperature Range(°C)	-40-+65



Pattern sample for reference



Layout of interface



Accessories

Item	Model	Weight	Mechanical Tilt Range	Quantity
/	/	/	/	/